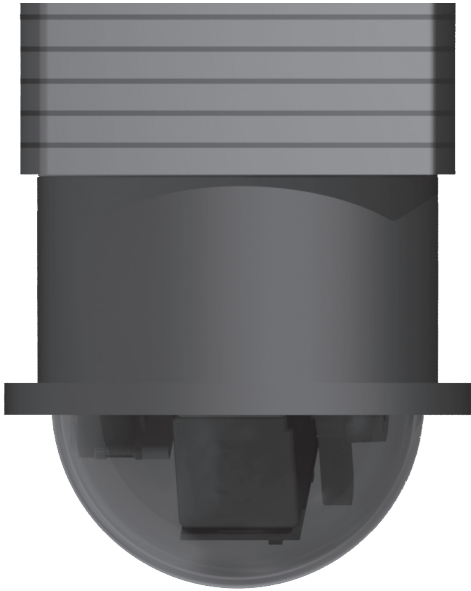


CLEVERCITI CCP-300LR High Precision Long Range Parking Sensor



Properties:

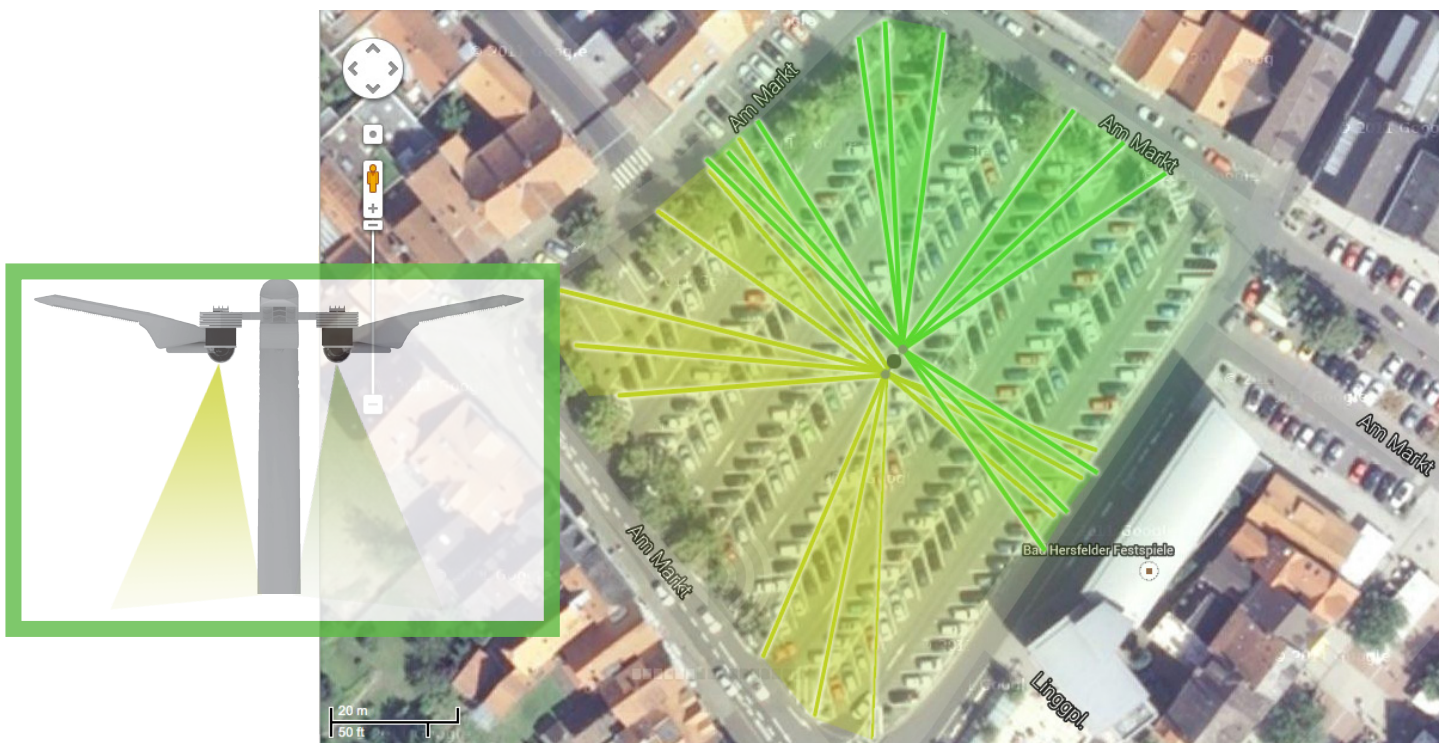
Detection of 30 - 300+ parking spaces

Range up to 300°

Reach: 15 to 400 meters

Very low light sensitivity

Wide range of operation temperature



CLEVERCITI CCP-300LR

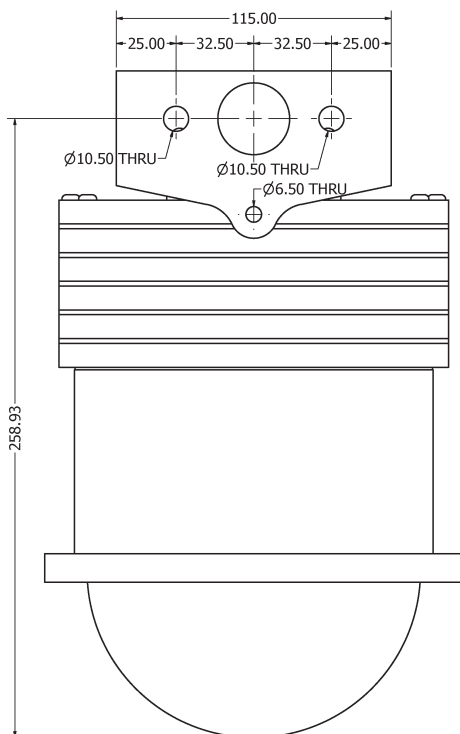
High Precision Long Range Parking Sensor

Dedicated to large on-street parking areas and surface parking lots: from 30 to 300+ parking spaces per sensor.

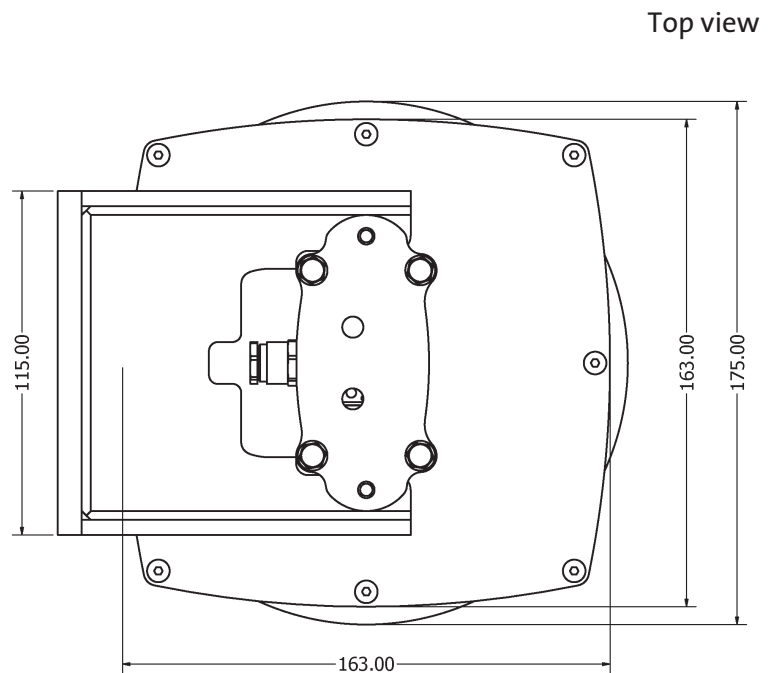


DIMENSIONS – CLEVERCITI CCP-300LR

Dimensions (mm)



Front view

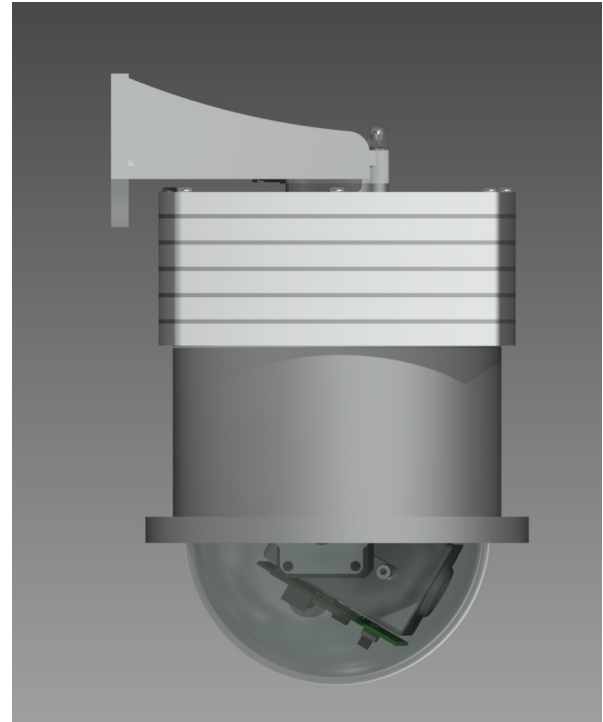
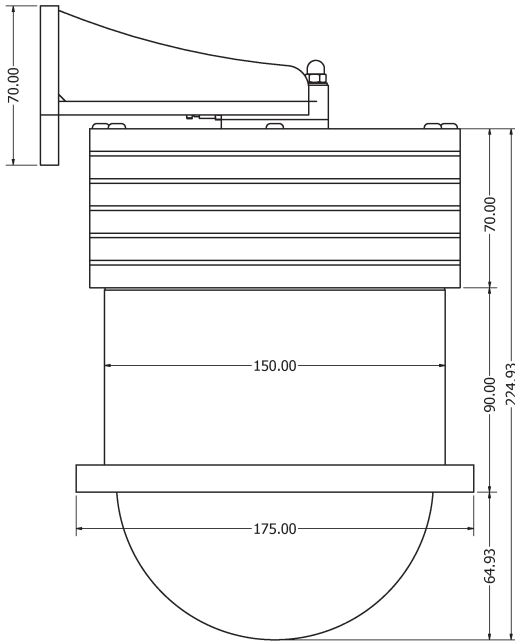


Top view

CLEVERCITI CCP-300LR

High Precision Long Range Parking Sensor

Dimensions cont. (mm)



TECHNICAL SPECIFICATIONS – CLEVERCITI CCP-300LR

Casing:

- IP66 rated aluminum housing

Power:

- Input voltage 90-264 VAC (120-370 VDC)
- Input frequency 47-63 Hz
- Input power 40 W at 0.4 A max at 230 VAC
- Inrush current • 40 A max at 230 VAC
- Earth leakage current <125 μ A at 115 VAC/60 Hz <210 μ A at 230 VAC/50 Hz
- Power factor EN61000-3-2, class A input protection
- Internal T3.15 A, 250 V fuse in line and neutral
- Operation current 20-25 W

Connectors:

- RJ-45 for 10BASE-T/100BASE-TX PoE

Transmission:

- 10BASE-T/100BASE-TX ethernet
- WiFi
- 3G / LTE

Data transmission:

- Basic information up to 300 Bytes per parking space / per second (can be reduced)
- Update cycle every 3 to 15 seconds

Operating conditions :

- -20 °C to 50 °C (-4 °F to 122 °F)
Humidity 15-85 % RH
- with cooling element for hot regions: 50°+

Weight:

- 5.0 kg, with mount: 5.6 kg

Cleverciti® is a registered Trademark of Cleverciti Systems GmbH
Cleverciti Sensor Systems – international Patents Pending

© 2016 Cleverciti Systems GmbH, Hofmannstr.54, 81379 München/Germany
T. +49 89 78576736-0, info@cleverciti.com, www.cleverciti.com